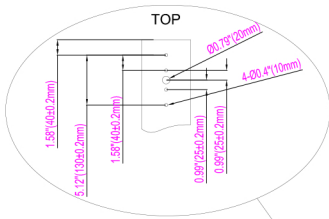


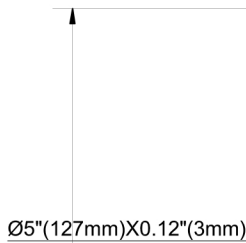
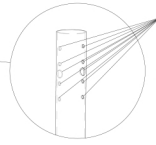
DRAWING 1A

MODEL#	
PROJECT:	
NOTES:	
DATE:	
APPROVED BY:	
WEIGHT	
Pole:242 LBS/PC	Anchor Bolt:10.5 LBS/SET
Install Base Shield:5.06LBS/PC	Positioning Plate:0.5 LBS/PC

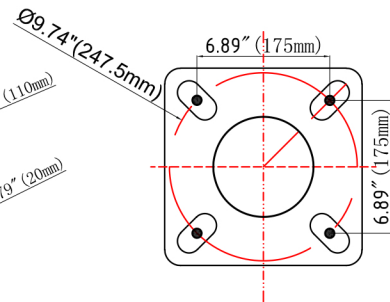
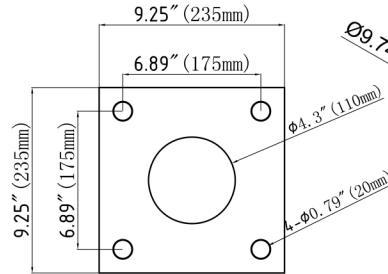
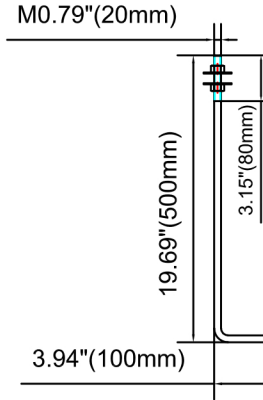
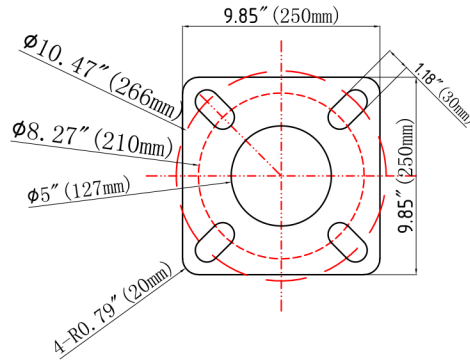


1. This top should be equipped with the corresponding movable rubber plug cover to prevent rain from entering and easy to open for wiring .

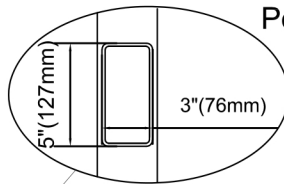
2. According to the marked size on the left, measure 180 degrees on the face of the round pole 2 and add 5 hole positions respectively, the hole should be blocked with corresponding rubber plug to prevent rain from entering after opening the hole positions.



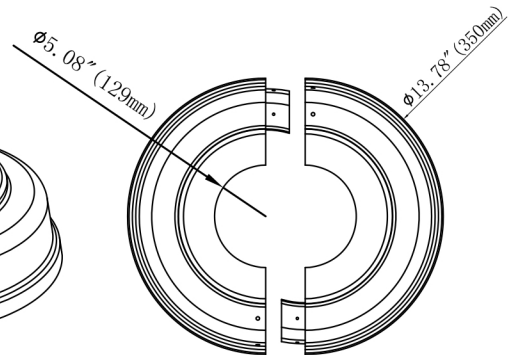
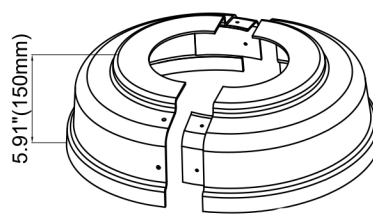
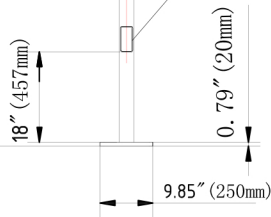
30FT (9150mm)



Position plate



Handhole



Technical requirements

- The light pole shall be made of Q235 steel. The surface and inside of the light pole shall be dipped in zinc and then sprayed on the surface. Failed to chamfer 0.5mm.
- All welding (electrode) shall be full, and there shall be no false welding, burr or other defects.
- The unmarked tolerance shall be executed according to the common tolerance table.
- Meet RoHS standards.

Material No.	312.0446	Edition	A/1	Page	1/1	Tolerance requirements:(tolerance without special requirements)	
Material Name		proportion	1:1	Angle		NO ± 0.2	mapping
Specification Description		unit	mm			.X ± 0.1	check
Drawing Number		material quality				.XX ± 0.05	examine and verify
						Date	
						Repair the interior	