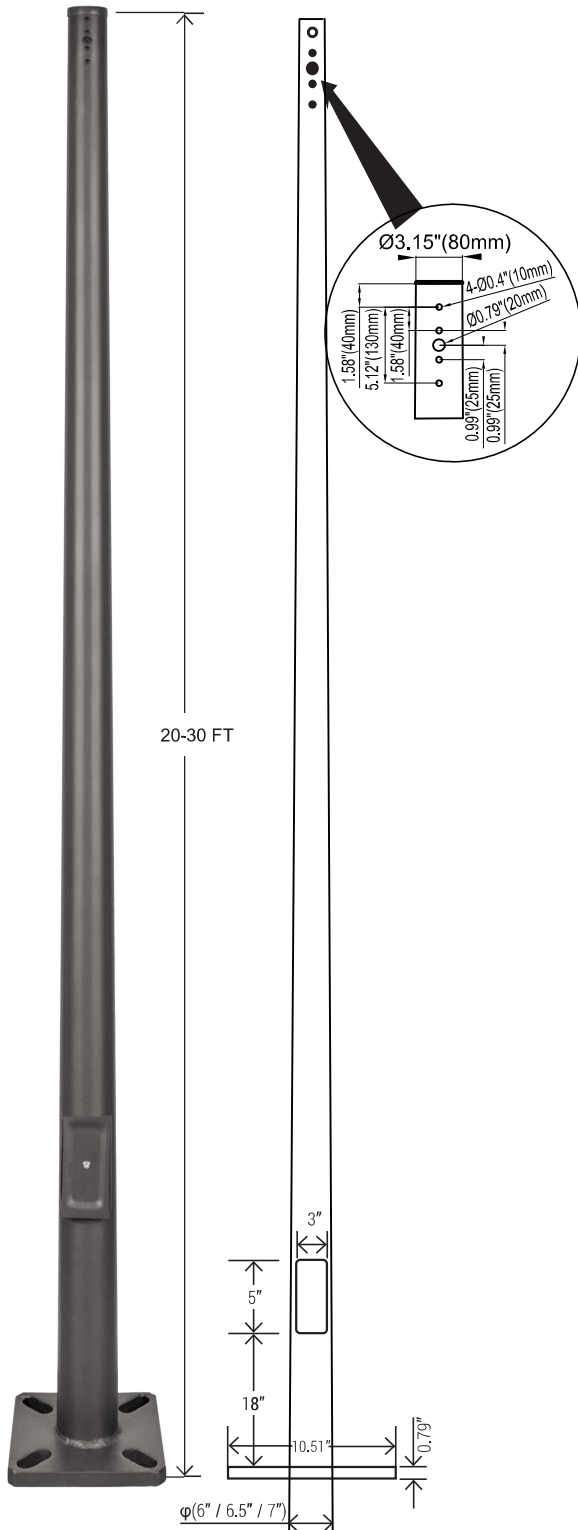


Round Tapered Steel pole



Size: 6" (6" dia.), 6.5" (6.5" dia.), 7" (7" dia.)

(NOTE: BASE COVER, ANCHOR KIT, POSITION PLATE & ACCESSORIES SOLD SEPARATELY)



The MNW-PTR Series Round Tapered Steel poles are built from high strength steel tube and are available side drilled for arm mounted area lighting luminaires or with tenon mounts for flood and post top luminaires. Typical area lighting applications include retail centers, industrial parks, schools and universities, public transit and airports, office buildings and medical facilities. Mounting heights of 20 to 30 feet can be used based on selected luminaire application.

FEATURES

FINISH:

Textured architectural bronze powder-coat finish, baked to ensure maximum paint adhesion, hardness and durability.

ANCHOR BOLTS:

Anchor bolts are not included, sized based on pole data charts for the selected pole size.

HAND HOLE:

Cast iron reinforced hand hole and cover with ground screw.

BASE COVER:

Poles are provided with a two-piece formed steel base cover that is easily assembled and fitted over pole base.

SURFACE TREATMENT: Hot-dip galvanizing.

POLE LENGTH:

Poles are available in standard lengths as shown in the order matrix. Poles can be custom cut to order. Consult factory.

SPECIFICATIONS: Conforms to ASTM-A 500 Grade B: Minimum Yield Strength of 46,000 PSI.

SPECIFICATION	20FT	25FT	30FT
MNW-PTR-20611-X2			
MNW-PTR-25611-X2	L = 6.1 (m)	L = 7.6 (m)	L = 9.1 (m)
MNW-PTR-30711-X2			

MOUNTING OPTIONS



SIDE MOUNT: Standard length poles are predrilled ($2@180^\circ$), with a polycarbonate top cover and hole plugs for unused predrilled locations.

Note: When using Arm or Slip-Fitter Mounts, additional installation parts may be required to ensure proper installation. (example: Round Bar Adapter with Arm Mount or Horizontal Tenon Arc Adapter with Slip-Fitter Mount) [see: additional installation parts for more options](#)

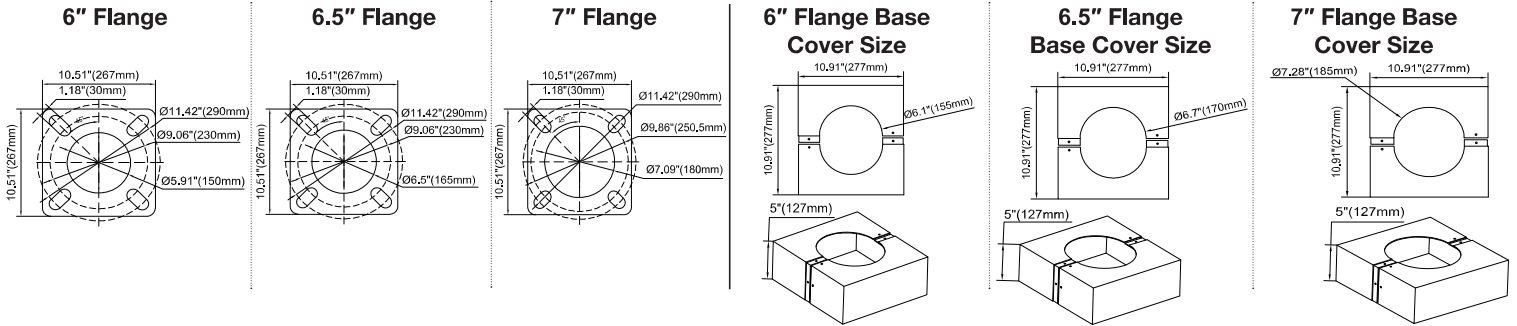
TOP MOUNT: Round Pole Tenon Adapters (Optional) can be installed for a use with a Slip-Fitter or Multi-Fixture installation requiring Bullhorns, Spokes etc. (4" RND to 2 3/8" Round Tenon Adapters available)

Round Tapered Steel pole



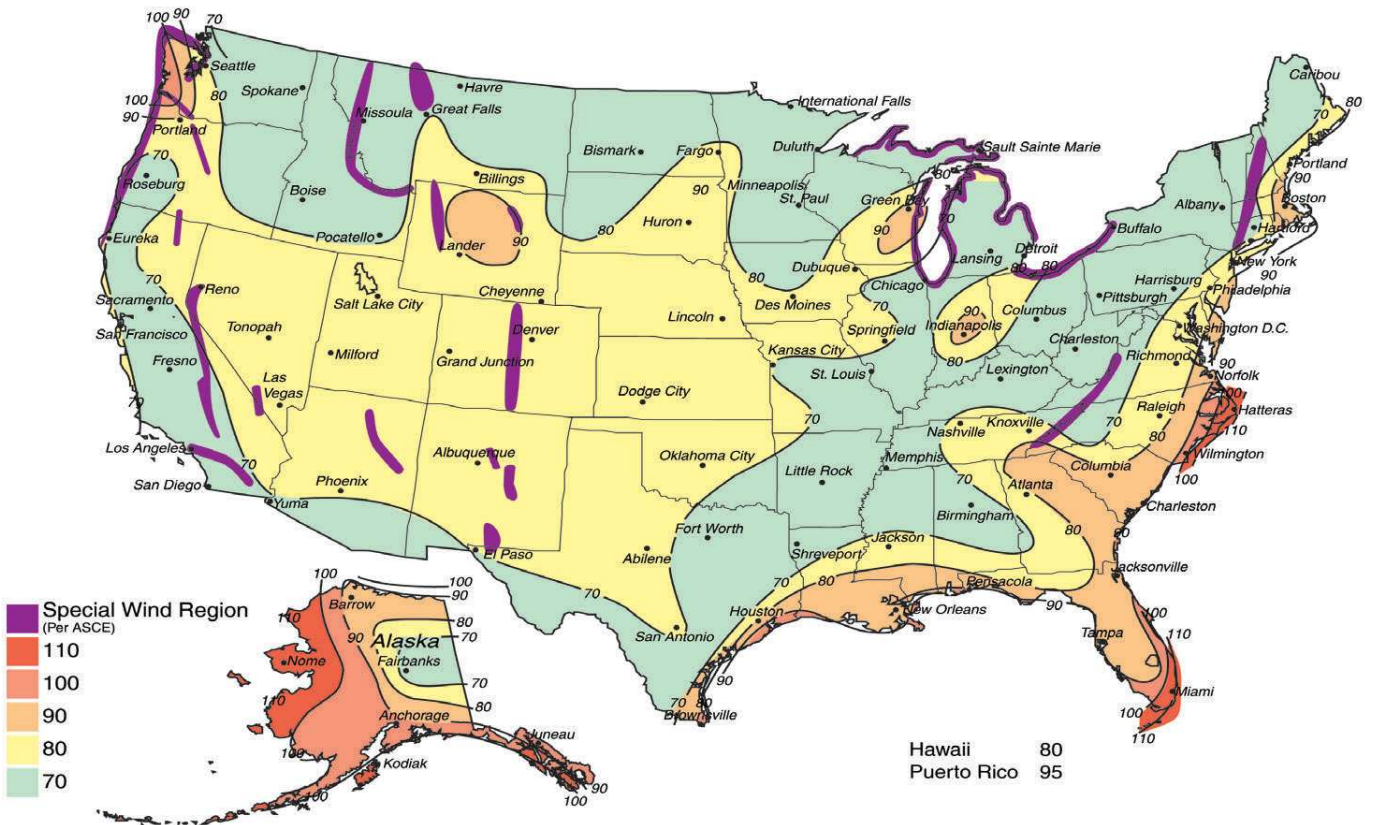
Size: 6" (6" dia.), 6.5" (6.5" dia.), 7" (7" dia.)

DIMENSION



DIMENSION DATA

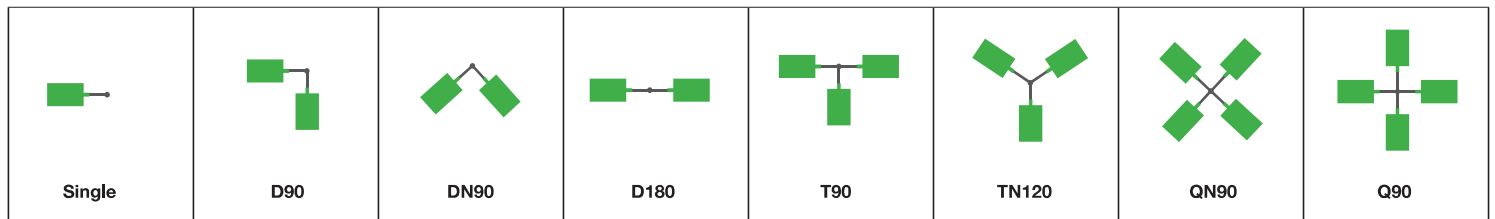
CATALOG	HEIGHT	GAUGE	SIZE	BOLT SIZE	WEIGHT (LBS)	EPA 70	EPA 80	EPA 90	EPA 100	EPA 110	EPA 120	EPA 130	EPA 140	EPA 150	EPA 160
MNW-PTR-20611-X2	20ft	11	6" dia.	M0.75"X 19.69"X 3.94"	123	13.9	11.1	10.8	8.8	7.5	5.8	4.6	3.2	2.0	1.1
MNW-PTR-25611-X2	25ft		6.5" dia.	163	12.9	9.9	8.7	7.3	6.6	5.1	4.2	2.8	1.4	NG	
MNW-PTR-30711-X2	30ft	7	7" dia.	M0.95"X 36"X4"	300	10.5	8.8	7.9	6.5	5.4	4.4	3.7	2.4	1.2	NG



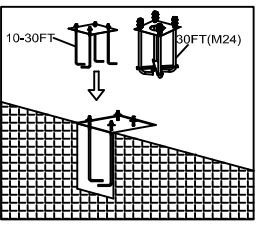
Round Tapered Steel pole



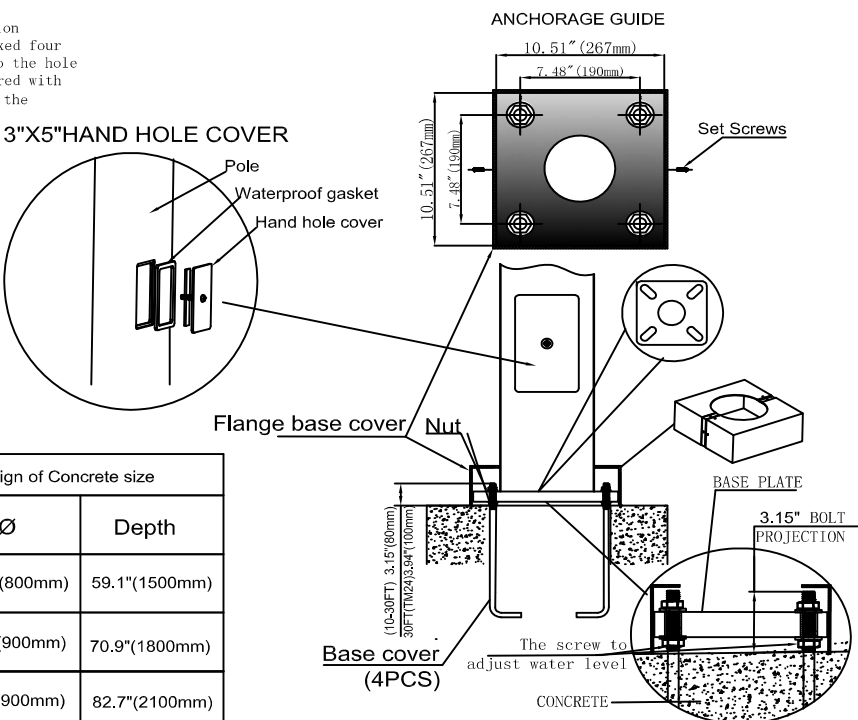
FIXTURE CONFIGURATIONS



INSTALLATION

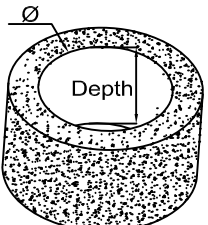


1. Dig a hole in the installation position of the lamp pole. Fixed four fastener fittings according to the hole position of lamp pole and poured with cement concrete. (as shown in the figure)



2. Install 4 screws onto the stick and adjust to same water level, then place the square plate and screw tightly. Install the cover at the bottom of pole. (as shown in the figure)

Foundation reference specification



Reference design of Concrete size		
Specifications	Ø	Depth
10-15FT	31.5"(800mm)	59.1"(1500mm)
20-25FT	35.4"(900mm)	70.9"(1800mm)
30FT	35.4"(900mm)	82.7"(2100mm)

Foundation Design:We offer Foundation design references due to variations in soil structure across different areas, and we do not assume any responsibility for this variability.