



## Description

The PIR Motion Sensor is Integrated with Photocell and 2.5mm male audio connector, enabling easy plug-and-play integration for Luminaire Level Lighting Control (LLLC).

## Features

- Suitable for low profile luminaires
- Easy plug-and-play integration for Luminaire Level Lighting Control (LLLC)
- Operates on 12V DC supplied by a 0-10V dim-to-off LED driver
- Selectable modes for various applications via the RM51 remote controller
- Integrated photocell enables dusk-to-dawn operation independent of motion detection
- Auto-calibrates in Daylight Harvesting mode to reach target illumination by measuring combined natural and electric light

## Requirements

- SC05 socket required

## Specifications

<b>Input Voltage</b>	DC 12V
<b>Input Current</b>	15mA Max
<b>Input Power</b>	0.2W
<b>Output Current</b>	10mA Max
<b>Output Power</b>	0.1W
<b>Dimming</b>	Class 2, 0-10V DC 10mA Max
<b>Sinking Current</b>	10mA Max
<b>Housing Material</b>	UL 94-5VA
<b>Detection Range</b>	32ft Max
<b>Mounting Height</b>	15ft Max
<b>IR Remote Distance</b>	Max 20' Indoor/Outdoor Use
<b>Operating Temperature</b>	-30°C to 65°C, -22°F to 149°F
<b>Storage Temperature</b>	-30°C to 85°C, -22°F to 185°F
<b>IP Rating</b>	IP20
<b>Color</b>	White
<b>Warranty</b>	5 years warranty
<b>Compliance</b>	UL8750, RoHS
<b>Safety</b>	cULus Listed LED Controller E504054

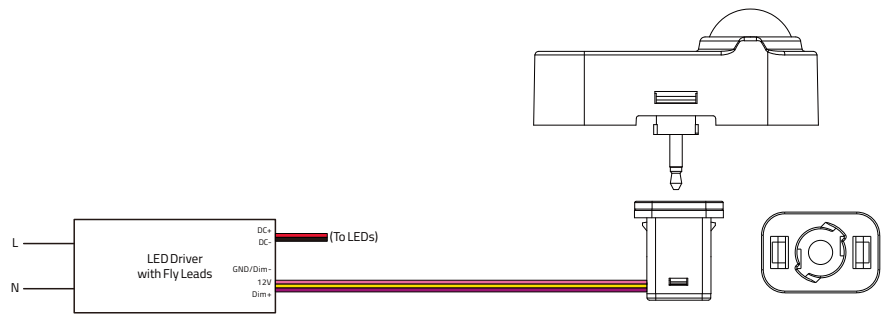


PHOTOCELL VALUE			
LOW	HIGH	CAL	OFF
5FC	20FC	Configurable LUX	Disable

## Ordering Information

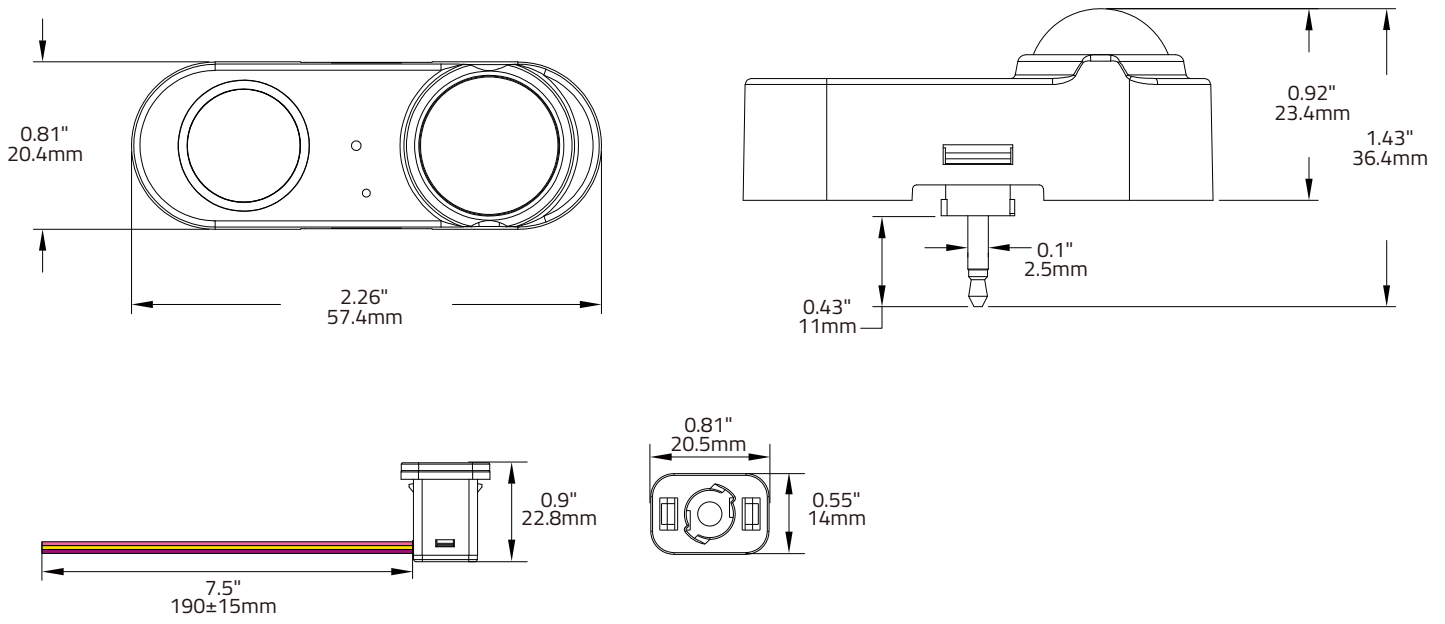
Model	Description
MSK-AUX-REMO1-XX	Fixture Built-in Low Bay Sensor
SC05	Slim size audio jack receptacle for low bay application
LBL2	Low bay lens, Mount Height 15ft Max, coverage 32ft Max, For Minor Movement

## Wiring



## Dimensions

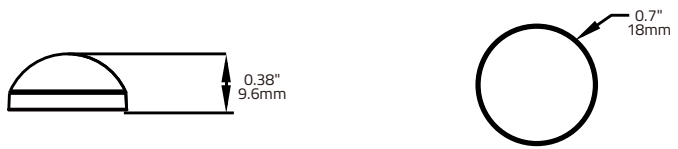
Unit:inch/mm



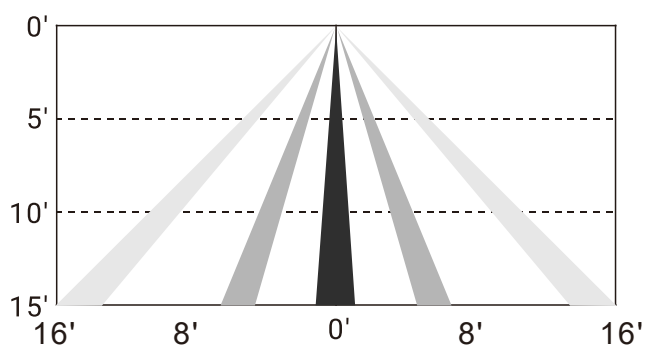
## Dimensions - Accessories

Unit:inch/mm

LBL2



Coverage Side View



Coverage Top View

