

# CLA CYLINDER LIGHT

## LED Cylinder Light with Selectable Versatility

### Introduction

- ◆ The CLA Cylinder Light is a sleek, modern lighting fixture that combines architectural elegance with functional versatility. Its streamlined cylindrical design provides both visual appeal and performance efficiency.
- ◆ This light fixture offers versatile selection capabilities, including wattage and CCT selectable, distribution selectable and lighting selectable direction, allowing users to easily adjust settings to fit different environments and lighting needs.
- ◆ With standard photocell, ensuring that you can effortlessly manage lighting conditions while maximizing energy efficiency.
- ◆ Whether for kitchens, conference rooms, auditoriums, or exterior facades, the CLA Cylinder Light delivers a balanced mix of style, functionality, and superior illumination.

### Product Specifications

#### Construction:

- ◆ Heavy-gauge aluminum housing.

#### Optics:

- ◆ CCT Selectable 3000K or 4000K or 5000K (Default setting).
- ◆ Proprietary optics delivers a true uniform, batwing distribution. Narrow and Wide distribution selectable.

#### Electrical:

- ◆ 0-10V dimmable driver. The dimming wire is not led out from the fixture.
- ◆ Input voltage 120-277Vac for US market, 120-347Vac for Canada market, and 50/60Hz.

#### Finish:

- ◆ Dark bronze color is standard, White and Black color are available.



20WS

Wattage Selectable



38WS

Wattage Selectable

3000K 4000K 5000K

CCT SELECTABLE



#### Mounting:

- ◆ Wall mount is suitable for indoor or outdoor applications and easy to modify.

#### Ambient Temperature:

- ◆ -40°F (-40°C) to 122°F (50°C)

#### Compliances:

- ◆ cULus listed for wet locations.

#### Warranty:

- ◆ 5-year limited warranty.

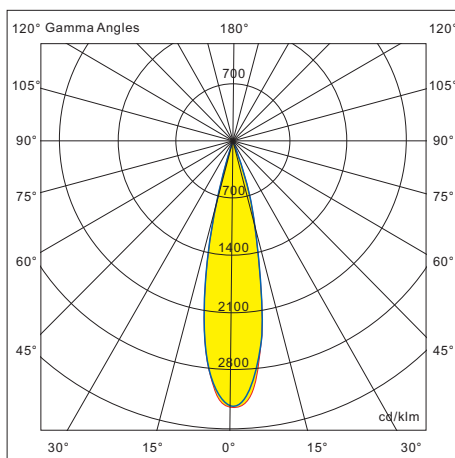
## Performance Data

Model	Wattage	Wattage Selectable	Nominal CCT	CCT Selectable	Full Lighting		Up or Down Lighting	
					Total Lumens	LPW	Lumens	LPW
	20	Yes	3000	Yes	2,581	125	1,258	125
			4000		2,814	137	1,445	136
			5000		2,627	128	1,287	127
	16		3000		2,117	128	1,075	127
			4000		2,249	139	1,127	138
			5000		2,204	131	1,105	132
	10		3000		1,381	131	642	130
			4000		1,441	140	687	139
			5000		1,428	136	665	136
	38	Yes	3000	Yes	4,939	128	2,443	128
			4000		5,512	144	2,740	144
			5000		5,174	134	2,557	134
	31		3000		4,169	133	2,049	132
			4000		4,574	147	2,162	146
			5000		4,395	140	2,116	139
	19		3000		2,680	139	1,316	139
			4000		2,886	151	1,427	150
			5000		2,828	147	1,373	144

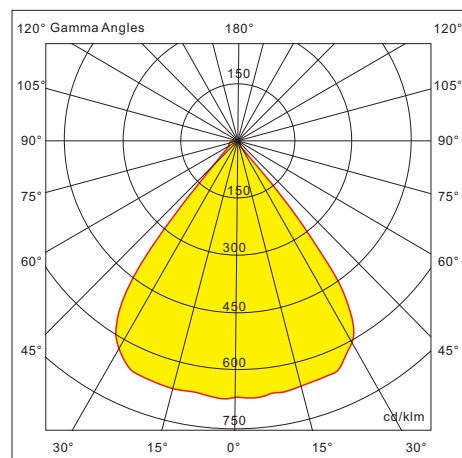
Note: When adjusted to only single-sided lighting, the power is halved

## Photometrics

Note: Narrow and Wide distribution can be selected via the switch.



Narrow



Wide

# Versatile Selection Capability

**CCT Setting**  
Adjust CCT between 3000/4000/5000K, 5000K default setting

3000K  
4000K  
5000K

1  
2  
3  
4

**Distribution Setting**

Switch	Distribution Selection	Default Setting
1	Full & Narrow Light	Full & Narrow Light
2	Up & Narrow + Down & Wide Light	
3	Up & Wide + Down & Narrow Light	
4	Full & Wide Light	

**Power Setting**

L1 Up  
L2 Full  
L3 Down

Product Size	Power Selection (L1/L2/L3)	Default Setting
Size 1	Adjust power between 20/16/10W	20W default setting
Size 2	Adjust power between 38/31/19W	38W default setting

**Direction Setting**  
Adjust direction among Up/Full/Down, Full light default setting  
Note: When adjusted to only single-sided lighting, the power is halved.

## Accessories

### Control Options

Comes as standard

**XPC-B**  
Photocell -With Sunshade Cover  
(Remove the cover cap to enable the photocell function.)

### Emergency Battery Backup

Factory-Installable OR Field-Installable (field-installable purchased separately)

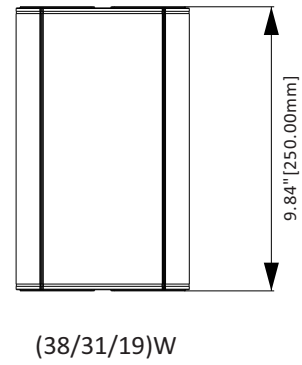
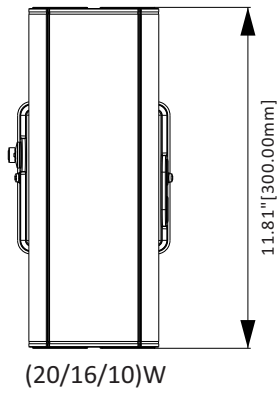
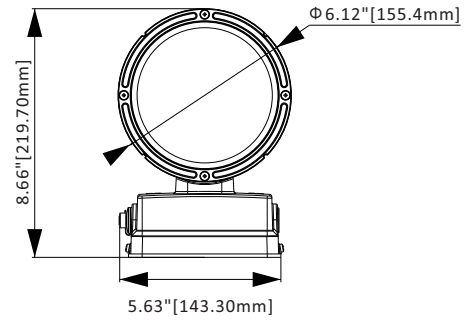
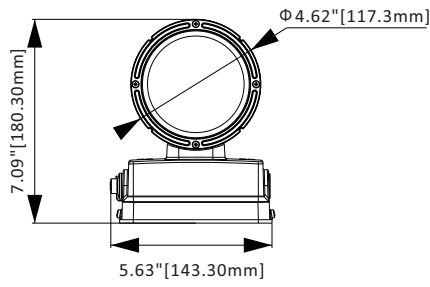
	<b>XEBB27-4WDC</b> Emergency Battery Backup EMY-04150DO-UH-4W/90min, for XCLA at AC120-277V		<b>XEBB28-4WDC</b> Emergency Battery Backup EMY-04150DO-UH-4W/90min, for XCLA at AC120-347V
--	------------------------------------------------------------------------------------------------------	--	------------------------------------------------------------------------------------------------------

Emergency test button and indicator

## Electrical Data

Model Series	Wattage(W)	Current (A)				
		Input Voltage (V)				
		120	208	240	277	347
	10	0.09	0.06	0.05	0.04	0.03
	16	0.15	0.09	0.07	0.06	0.05
	20	0.19	0.11	0.09	0.08	0.06
	19	0.18	0.11	0.09	0.08	0.06
	31	0.29	0.17	0.14	0.12	0.10
	38	0.35	0.21	0.18	0.15	0.12

## Dimensions



## Shipping Information

Model	Carton Size (in)	G.W. (lbs)	Per carton (pcs)	20GP (pcs)	40HQ (pcs)
	26.77 x 13.78 x 8.86	20.90	4	1,752	4,820
	32.76 x 11.81 x 10.43	27.03	4	1,408	3,880

Note: The packaging data can sometimes be outdated or incomplete. For the most reliable information, please reach out to us directly.